

INSTRUKCJA MONTAŻU | ASSEMBLY MANUAL | MONTAGEANLEITUNG

Ścianka przestrzenna | Spatial wall | Raumteiler

2750 x 65x 19 **C** 2x

2712 x 65x 19 **A** 6x

541 x 65x 19 **B** 2x

25 x ø 14 mm **1x**

3.5 x 50 mm **32x**

6 x 40 mm **4x**

ø 2.5 mm **1x**

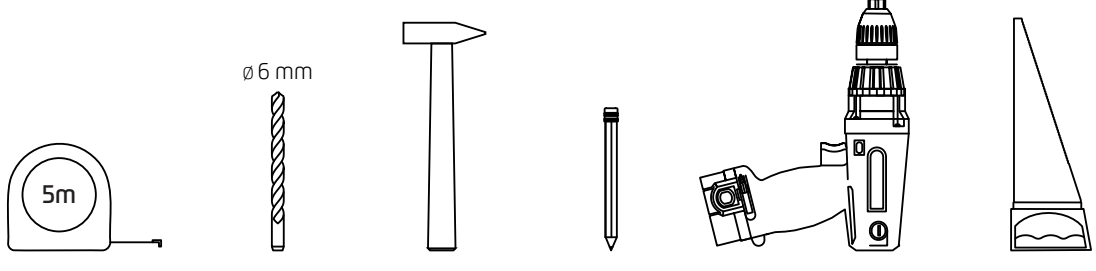
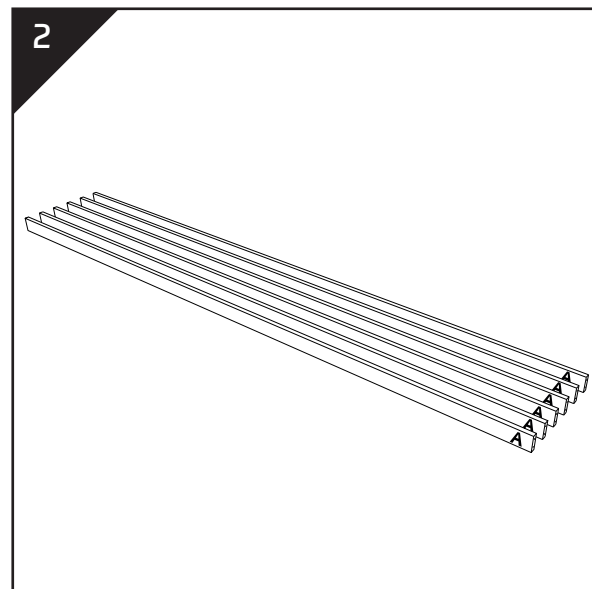
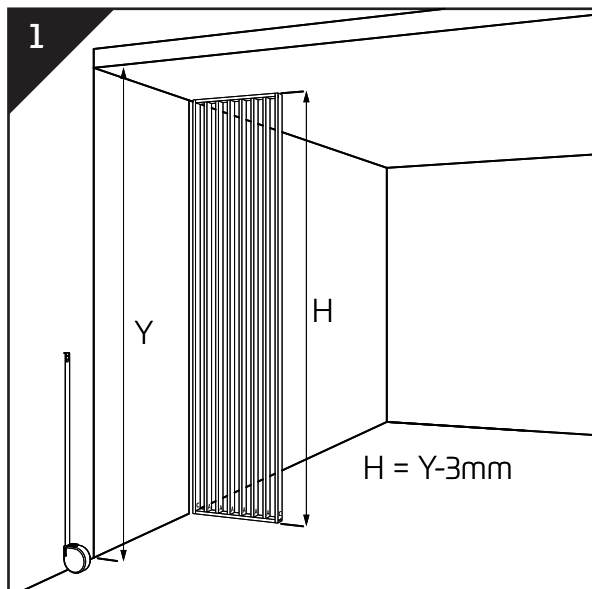
175 x 65 x 3 mm **D** 2x

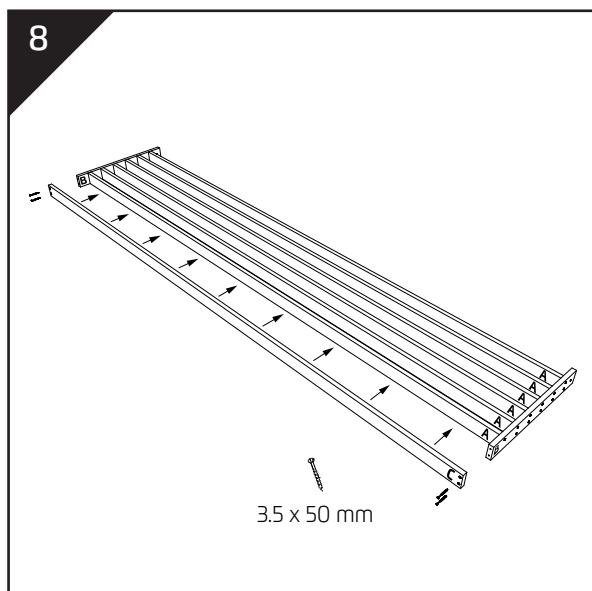
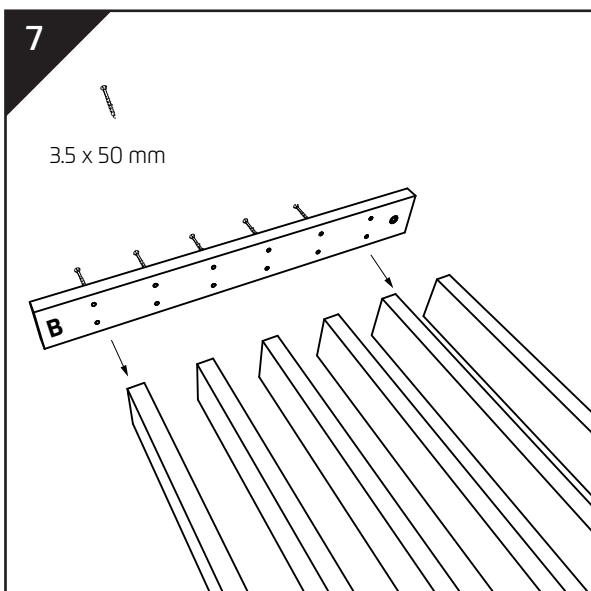
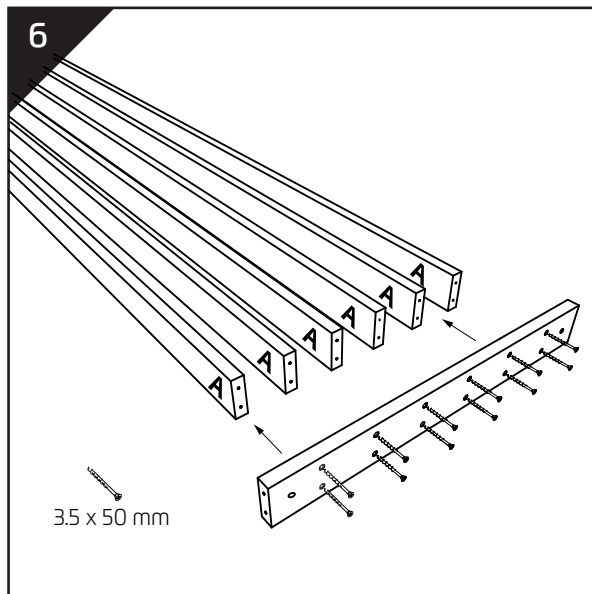
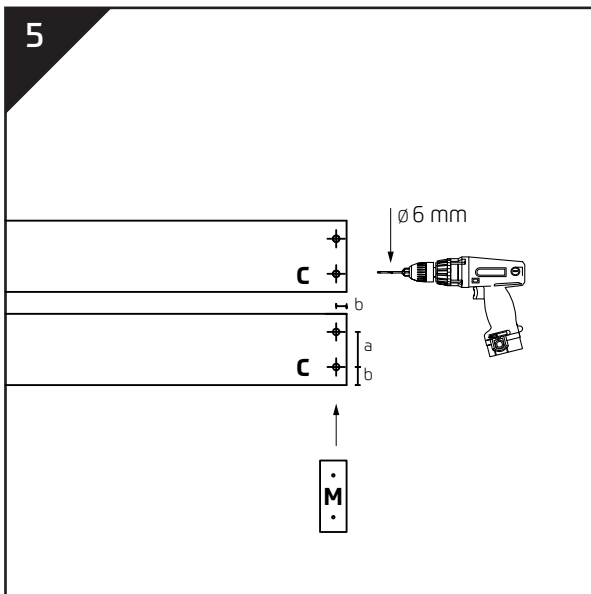
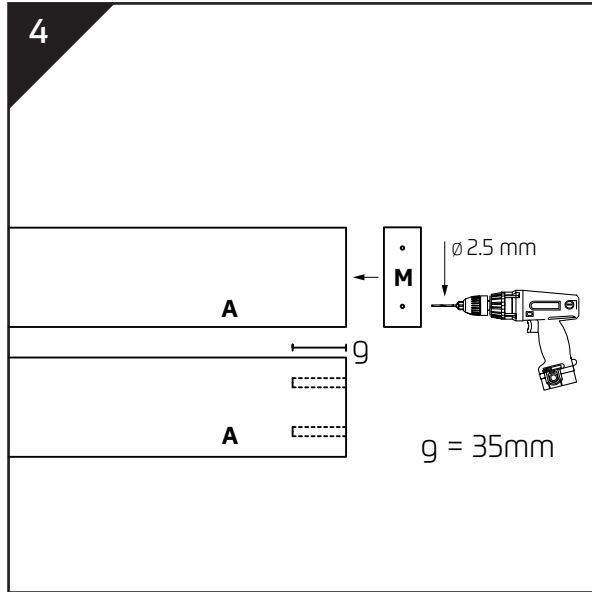
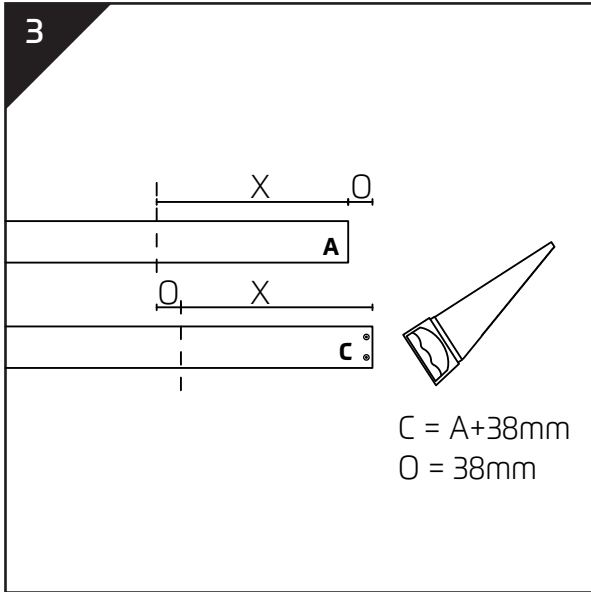
19 x 65 mm **M** 1x

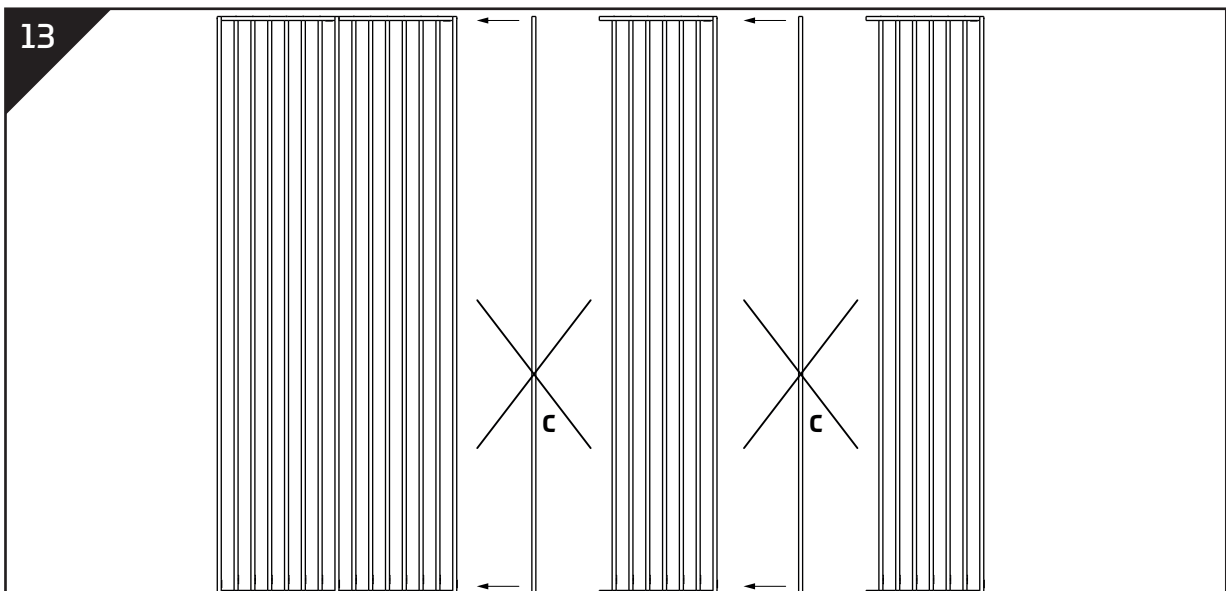
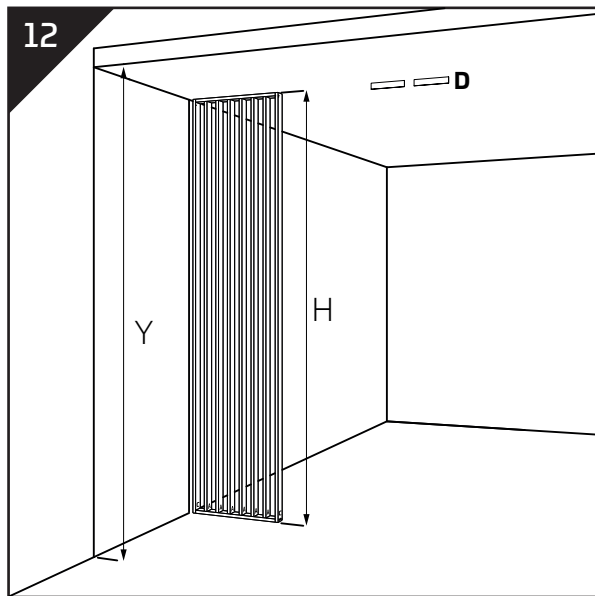
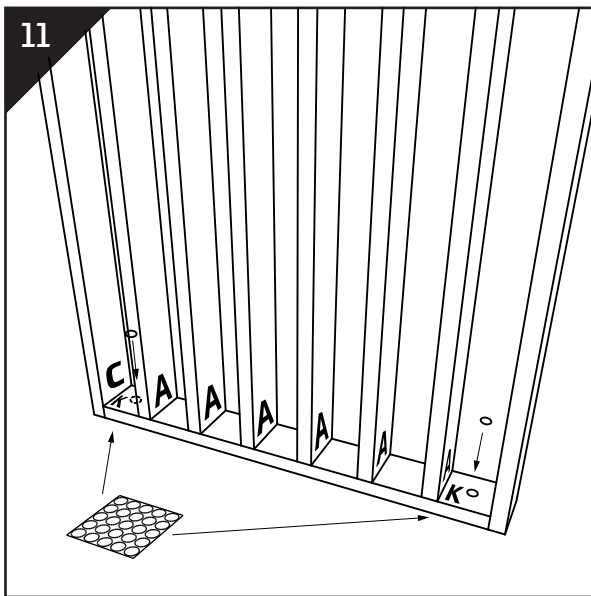
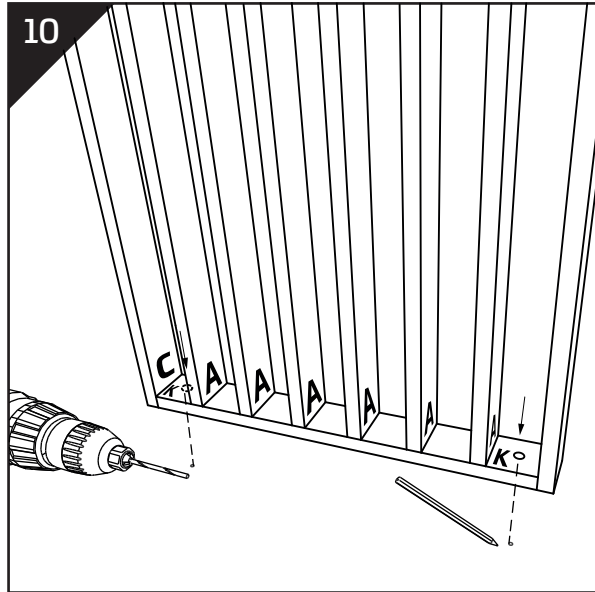
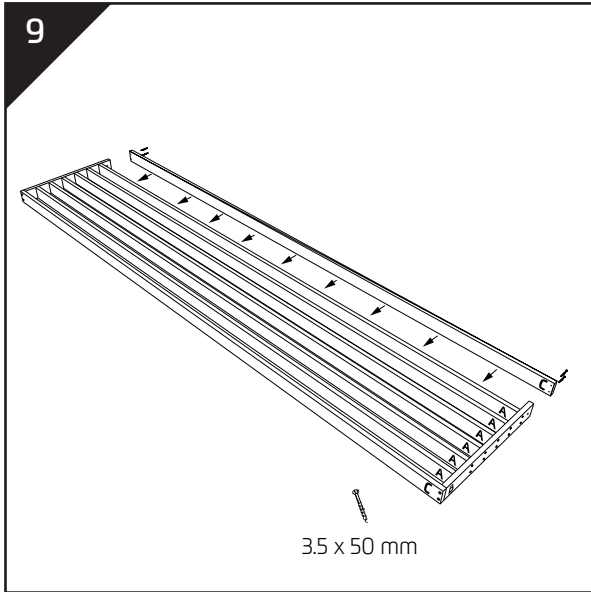
+

5m

ø 6 mm





The logo features a yellow circle partially overlapping a red shape that resembles a stylized 'K' or a rising sun. The red shape is a triangle pointing upwards and to the right, with a white semi-circle cutout on its left side where the yellow circle is positioned.

korner